



DREAM LIGHT Workshop

User Manual

A large blue rectangular graphic with a white, curved, abstract line design that starts from the left and curves upwards and then downwards towards the right.A smaller blue rectangular graphic on the right side of the page.

DLW L600BSWF IP

Guangzhou Dream Lighting Equipment Co., LTD

Contents

Safety Information	3/4
Package & Transportation	5
Fixture Package	5
Transport protection lock	5
Unpacking	5
Accessories with fixture	5
Product Introduction Specification	6
Electrical parameters	6
Light Source parameters	6
Optics parameters	6
Effect configuration	6
Fixture Movement	6
Electronic Control	6
Framing System	7
Color System	7
Gobo System	7
Gobo Specifications.....	8
Fixture size& Weight.....	9
Operation Panel Instruction	9
Panel Instructions	9
Detailed Operation Table of Display panel	10/11
Signal Connection	12
Power Connection	13
Connection type	13
Installation instruction & requirement	14
G- clamp Installation	14

Fixture Installation	14
Fixture Placement	15
DMX Channel Sheet (Brief)	16/17
DMX Specific Channel Sheet	18/19/20/21
Maintenance & cleaning of the fixture	22
Troubleshooting	22/23
Attachment 1 Angle range and the measurement figure of the fixture	24/25
Attachment 2 Electrical Diagram.....	26

Safety Information




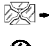

Note: Please check the complete package after received , and please unpack and check if the fixture is damaged during shipping. If the fixture is damaged during shipping, please do not use it and contact the manufacturer/local technicians as soon as possible.

The following identifications are used to identify the product and identify the important safety information in the user manual.

Warning!	Warning! See user documentation.	Warning! Hazardous voltage. Risk of lethal or severe electric shock.	Properly grounded	Warning! Intense light emission.	Warning! High surface temperature Don't touch!	Warning! Must wear gloves!
				$t_a \dots ^\circ\text{C}$		
Warning! Fire hazard.	Do not stare at the operating light source	Do not interfere with the track of the operating fixture	Minimum distance of illuminated objects(m)	Rated maximum ambient temperature!	Don't install the fixture on the surfact of combustible materials!	Replace any cracked protective shields

Notes:

- The fixture is used professionally only, please don't used it for any other purposes.
- Please refer to the latest user manual before using the fixture. The fixture is out of warranty if problems are caused by any incorrect use or negligence of the user manual.
- The protection level rate is IP66.
- In order to avoid damage the fixture, it is required more than 1 person when moving the fixture. When hanging the fixture, the hanging device must be tested. The hanging device should be able to bear more than 6 times of weight of the fixture.
Please make sure the housing and G-clamp are fixed and do not have damage after installed. Please use the safety chain to keep the fixture fixed on the truss safely.
- The fixture should be installed in a well-ventilated place. Keep the distance of the fixture and the obstacles more than 0.5 meter, and please check the fans and ventilation hole sare not blocked.

- Please don't install the fixture on the surfaces of the inflammable goods directly.
- Please check the voltage before the professional technicians install the fixture.
The voltage must be the same with the voltage which marked on the fixture.
Overloading protection or leakage protection are also required.
- When replacing the fuse of a fixture, please check whether the fuse meets the specified technical requirements. Do not replace or short-circuit it without allowed. Please confirm whether the input voltage meets the specified technical requirements and is correctly grounded before powering on.
- Please cut off the power supply when replacing the fuse. ()
- Rated maximum ambient temperature when the fixture is working: $t_a = 40^{\circ}\text{C}$.
- The safe/shortest distance to the illuminate object: 5m.
- when the fixture working stably, the maximum surface temperature: $t_c = 75^{\circ}\text{C}$.
- The shortest safety distance to combustible material: 0.7m.
- Please don't touch the fixture when it is working stably. It's highest surface temperature can reach 75°C .
- The fixture must be positioned in such a way that it is not subjected to prolonged observation from a distance of less than 3.5 meters.
- Please don't stare at the working fixture directly without any eye protection.
- Please replace the protective cover and lens if any visible damage happened or the damage has reached the malfunction level. ( )
- The fixture must be installed, operated, and maintained by professionals strictly according to the user manual.
- All the information of the user manual is for your reference only. All fixtures should be subject to the actual product, which is subject to change without prior notice.

Package & Transportation

Fixture package

- Please cut off the power supply and cool it down for over 15minutes before packing the fixture.
- Lock the protection lock for tilt well.
- Please place the fixture in the plastic bag, and then carefully put it into the flight case vertically, the accessories are placed at special area in flight case, then close the lid and lock the flight case. Please don't put it upside down.

Transport protection lock

- Protective locks for tilt movement are installed in the fixture for safe transportation.

Unpacking

- Open the packing box, and then open the inner packing bag.
- Grasp the handle of the fixture, take it out from the case carefully.
- Unlock the protective lock before power on the fixture.

Notice: Please check the complete package after received the fixture, please check whether the fixture is damaged or not during shipping after opened the packing. If the fixture is damaged during shipping, please don't use it first, and contact the manufacture/local technicians as soon as possible.

Accessories with fixture

Accessories	Qty
User Manual	1
Warranty Card	1
Safety Chain	1
Signal Cable	1
Power Cable	1
Fixture Hook	2
Hexagonal stainless steel screws M10x25	4
Stainless steel screws spacer \varnothing 10	4

Product Introduction Specifications

Electrical parameters

AC100 - 240V 50 / 60 Hz

Input Power:850W rated electrical current:8.5A, PF≥0.98

Light Source parameters

- Light source : 600W LED white source module(high brightness).
- LED module expected lifespan:20000Hrs.

Optics parameters

- Lens:High-definition lens with anti-reflective film.
- Zoom range: 3°~42°

Effect configuration

- 2 prisms, one is 3-facet linear and one is 6-facet circle, can be independent and overlapping combined, can be bidirectional rotating, can be auto-focus.
- Two atomized frosts with high-bright output.
- 0-100% linear dimmer, 4 dimming curve options, 4 dimming speed options.
- Electric strobe 1-25Hz, multiple strobe effects.

Fixture movement

- PAN=540°, 16bit.
- TILT=270°, 16 bit.

Electronic Control

- Channel:38Ch/35Ch/60Ch.
- Control Protocols:DMX512,RDM,Art-Net,sACN,wireless function(optional).
- Control Portals: XLR-3+ XLR-5; RJ45 (optional).
- Menu display: 2.4" LCD screen; choice of Chinese and English language, menu available to be displayed 180° reversely.
- Electronic sensors testing, fan intelligent detect and controllable.
- Eco mode(sleep mode when standby)
- Non-touching magnetic encoder positionable system for pan/tilt.

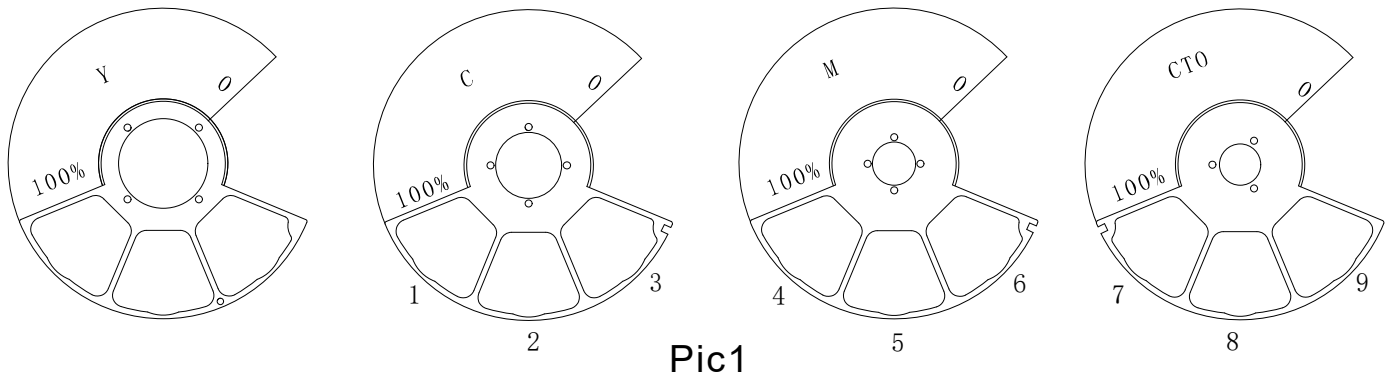
Framing System

- 4 x framing blades with precise positioning and no graphics distortion.

The framed graph can rotate 360°.

Color System

- CMY infinite color mixing, high saturated color (RGB) output, pure colors.
- CTO color temperature ,2700K-6900K linear adjustment.
- 9 color filters (Pic1).

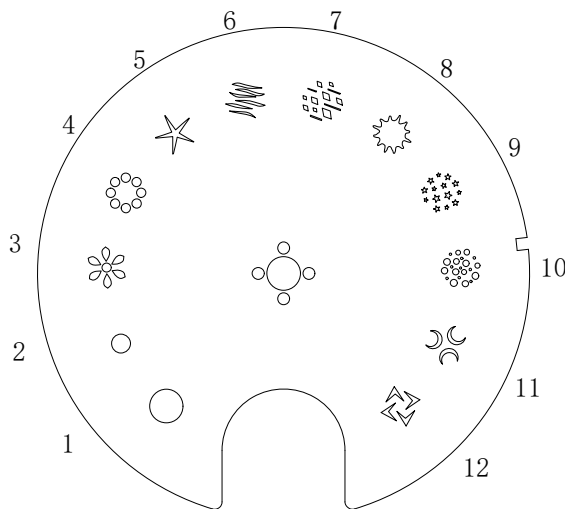


Pic1

- | | |
|-------------|-------------|
| 1.High CRI | 6.Purple |
| 2.Pink | 7.Deep Red |
| 3.Orange | 8.CTO 3200K |
| 4.Deep Blue | 9.CTB 9000K |
| 5.Green | |

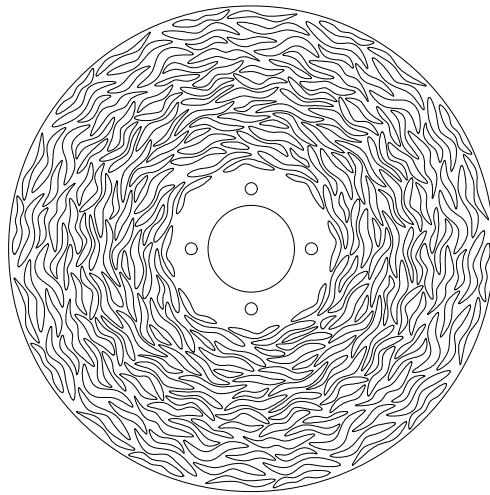
Gobo System

- 1 static gobo wheel, 12 gobos plus open, bi-directional scrolling. (Pic2)



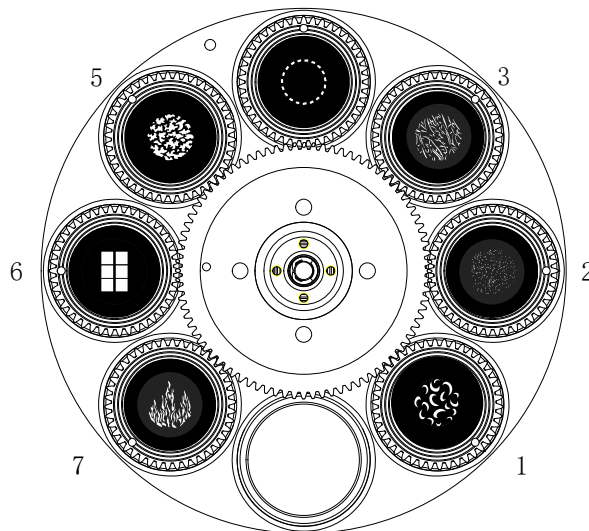
Pic2

- 1 Gobo animation wheel, cloud, fire, water flowing.



Pic3

- 1 rotating gobo wheel with 7 unique gobos + 1 open circle, can bi-directional rotate with effects of self-rotation, scrolling and shaking, the gobos can be accurately controlled at 16bit.



Pic4

Gobo Specifications

- The gobo plates are made from material, it can be customized according to user needs.

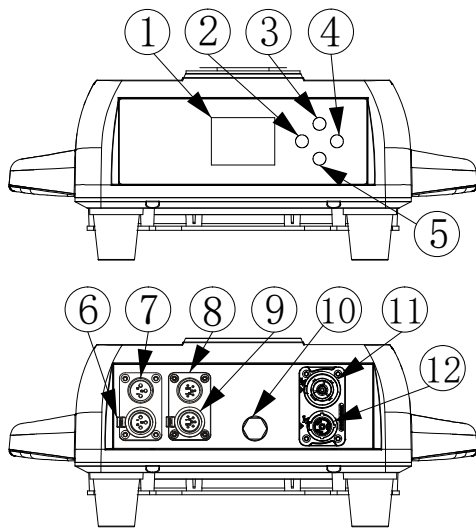
The size for customized gobo plates:

Material	Outer diameter	Effective Diameter	Thickness
Metal Gobo	∅22.8mm	∅ 12mm	0.5mm
Gobo plates adopt high temperature glass(or high temperature metal)			

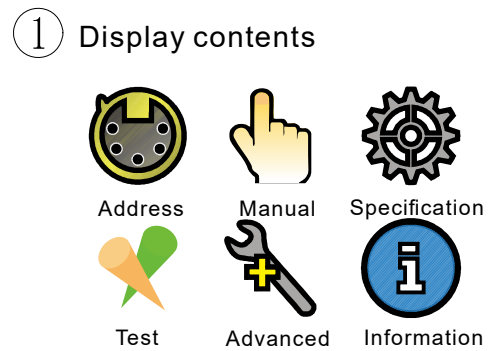
Fixture Size& Weight:

- Fixture size:389X389X697mm
- Net weight:29Kg
- IP Grade:IP66
- Flight case: 908X560X910mm(2 positions)
- Flight case net weight:45kg

Operation Panel Instruction



Pic5



Pic6




As shown in pic 5:




- | | | | | |
|--------------------|-------------------|-------------------|--------------------|--------|
| 1.LCD display | 2.Menu(Return) | 3.Up | 4.Enter | 5.Down |
| 6.3-XLR DMX Output | 7.3-XLR DMX Input | 8.5-XLR DMX Input | 9.5-XLR DMX Output | |
| 9.Air valve | 11.Power Output | 12.Power Input | | |

Panel Instructions

- Up Direction key:Select Sub-menu cyclically(upward).Circulate downward to adjust data value.
- Down Direction key: Select Sub-menu cyclically (downward). Circulate downward to adjust data value.
- Left Direction key(Back):Back to menu.
- Right Direction key(Confirm):Confirm the selected data value reselect cyclical data window.

Detailed Operation Table of Display panel

Specification			
	1.Pan Inverse	Off, On	
	2.Tilt Inverse	Off, On	
	3.PT Encoder	Off, On	
	4.PT Speed	FAST,NORMAL,SLOW	
	5.Dim Curve	Curve_CV1,Line_CV2,S_CV3,SquareCV4	
	6.LED PWM	1.2KHz, 6KHz, 12KHz,24KHz,25KHz	
	7.Dim Speed	Speed1,Speed2,Speed3,Speed4	
	8.FAN mode	Theater,Quiet,AUTO,HIGH	
	9.Display blackout	Off, On	
	10. display inverse	Off, On	
	11.KEY LOCK	Off, On	
	12. Language	English	
	13.Sleep Mode	Off, On	
	14.Fixture	
	EXIT		
	Manual		
		1.Channel	
		1.Pan	000~255
		2.Tilt	000~255
		3.Strobe	000~255
		4.Dimmer	000~255
		5.Focus	000~255
		6.Zoom	000~255
		7.Cyan	000~255
		8.Magenta	000~255
		9.Yellow	000~255
		10. CTO	000~255
		11.Color1 wheel	000~255
		12.Color2 wheel	000~255
		13.Color3 wheel	000~255
		14.Color Macro	000~255
		15.Gobo1 wheel	000~255
		16.R-Gobo1	000~255
		17.Fixed GOBO	000~255
		18.Animation	000~255
		19.Animation rotation	000~255
		20.FRAME 1A	000~255
		21.FRAME 1B	000~255
		22.FRAME 2A	000~255
		23.FRAME 2B	000~255
		24.FRAME 3A	000~255
		25.FRAME 3B	000~255
		26.FRAME 4A	000~255
		27.FRAME 4B	000~255
		28.FRAME ROT	000~255
		29.Prism 1	000~255
		30.R-Prism1	000~255
		31.Prism2	000~255
		32.R-Prism2	000~255
		33.Frost	000~255
		34.CONTROL	000~255
	EXIT		
2.Fixture Reset	NO,YES		
EXIT			
Address			
	1.DMX512 Address	001~512	
		EXIT	
	2.Channel Mode	Basic	
		Standard	
		Extend	
		EXIT	

<p>Information</p> 	3.No DMX Mode	Dmx hold	
		Black out	
		EXIT	
	EXIT		
	1.Fixture Hour	Fixture Hour	XXXXXX
		LED Hour	XXXXXX
		EXIT	
	2.Version	PANEL Ver :	XXXX
		XY Ver:	XXXX
		DRV1 Ver:	XXXX
		DRV2 Ver:	XXXX
		DRV3 Ver:	XXXX
		DRV4 Ver:	XXXX
		EXIT	
	3.Temperature	PANEL Temperature :	XXX-XXX
		XY Temperature:	XXX-XXX
		DRV1 Temperature :	XXX-XXX
		DRV2 Temperature :	XXX-XXX
	DRV3 Temperature :	XXX-XXX	
	DRV4 Temperature :	XXX-XXX	
	EXIT		
4.Fan Speed	PANEL Fan :	XXXX-XXXX	
	XY Fan:	XXXX-XXXX	
	DRV1 Fan:	XXXX-XXXX	
	DRV2 Fan:	XXXX-XXXX	
	DRV3 Fan:	XXXX-XXXX	
	DRV4 Fan:	XXXX-XXXX	
	EXIT		
5.RDM ID	XXXXXXXX		
	EXIT		
6.System Error	NONE		
	EXIT		
EXIT			
<p>Advanced</p> 	1.Factory Reset	NO	
		YES	
		EXIT	
	2.Fixture Time Reset	NO	
		YES	
		EXIT	
	3.LED Time Reset	NO	
		YES	
		EXIT	
	4.Calibration	
	EXIT		
EXIT			
<p>Test</p> 	1.Auto test		
		NO	
		YES	
		EXIT	
	EXIT		

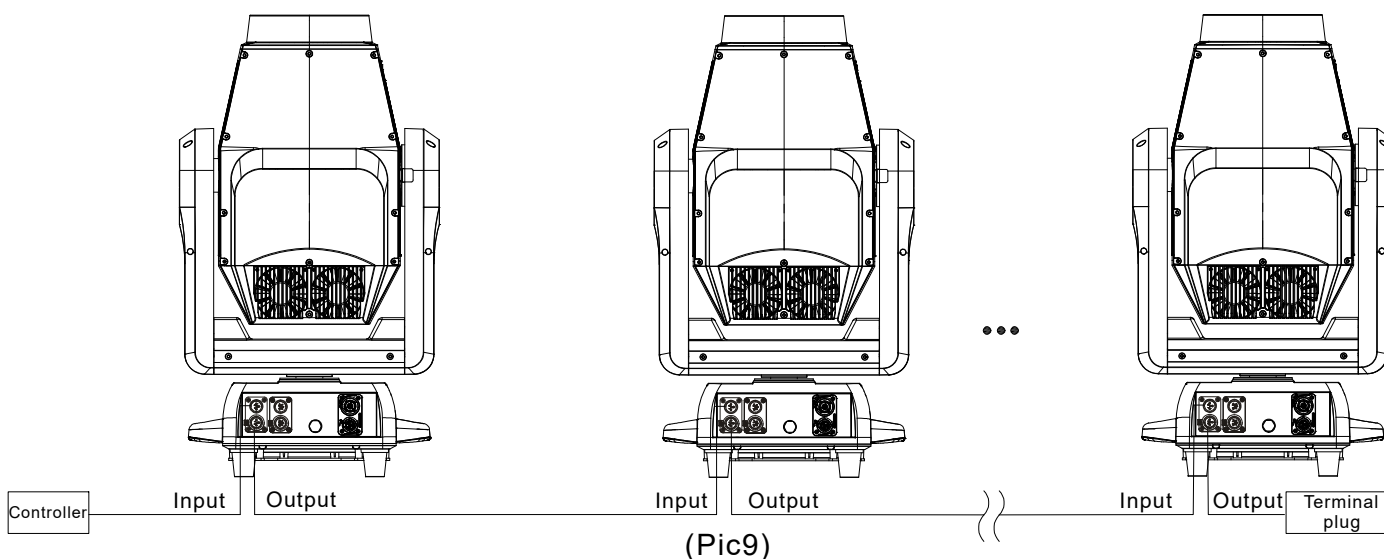
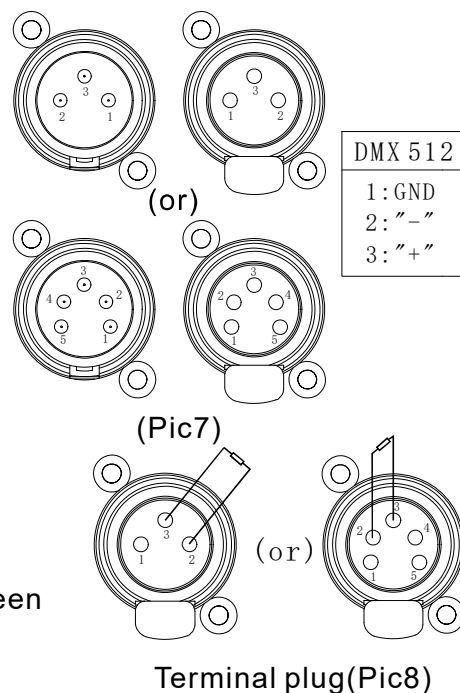
Signal connection

The fixture adopts 3pin/5pin socket to control DMX input and output, Pin1 is connected to grounded, Pin2 is connected to"-", Pin3 is connected to"+"(Pic7).

Please adopt professional DMX512 STP signal cable, usually its effective range is within 150m. When long distance signal transmission is required, please add DMX 512 signal amplifier.

To avoid the signal reflection during the transmission, please add a terminal which is 120Ω 1/4W resistance between DMX output pin2 and pin 3 of the last fixture. Plug the pin to the DMX output connector of the last fixture. (Pic8)

Connect the fixture from the DMX output of controller to DMX input of the first fixture, and then connect the first fixture's DMX output to the second fixture's DMX input and so on, until all fixtures are being connected. Then please install a terminal plug in DMX output of the last fixture. (Pic 8) The method of connection as show bellow. (Pic 9)



- Notice:
- Don't use multi- output connecter for connecting separately, It must connect the branch with DMX512 signal amplifier to separate them if it is required.
 - Standard amplifier cable is not reliable for long-distance data transmission; Please adopt professional DMX 512 STP signal cable.
 - The signal of the fixture only has one input and one output. Two input/output for each fixture are not available.

Power connection

Input voltage and frequency must be identical to the voltage and frequency marked on the fixture. When many fixtures are working at the same time, it is strongly recommended to control each fixture on/off individually.

Connection type

	Live or L	Neutral or N	Earth, Ground or ⊕
US system	Black	White	Green
EU system	Brown	Blue	Yellow/green

Notice:

- When connect power supply, please make sure the E line (yellow & green.) is properly connected. And it is corresponded with the relative electrical installation standards.
- Insulation class between LV power supply and controlling conductor: I
- Please confirm the voltage of the power supply is corresponded to the voltage on the fixture's identifications before professionals install it. Please also make sure it has overload or leakage protection.
- If the external cable is damaged, don't change it by yourself, please contact the manufacture/local as soon as possible.
- AC220V: Lighting fixture connection not surpass 3 units (2.5mm²).
- AC110V: Lighting fixture connection not surpass 2 units (12AWG).

Installation instruction& Requirement

The user need to arrange regular safety inspection for the fixtures and parts that are connected to the fixture. Please have professionals to operate if operating conditions and professional instructions are insufficient. Incorrect installation by non-professionals may leading to property loss or life danger.

Make sure there is no damage to rigging and clamps and they can bear at least 6 times weight of the fixture. Check if the truss or pipe construction can bear at least 6 times total weight of all equipment, like clamps, cables and other accessories.

G-clamp Installation

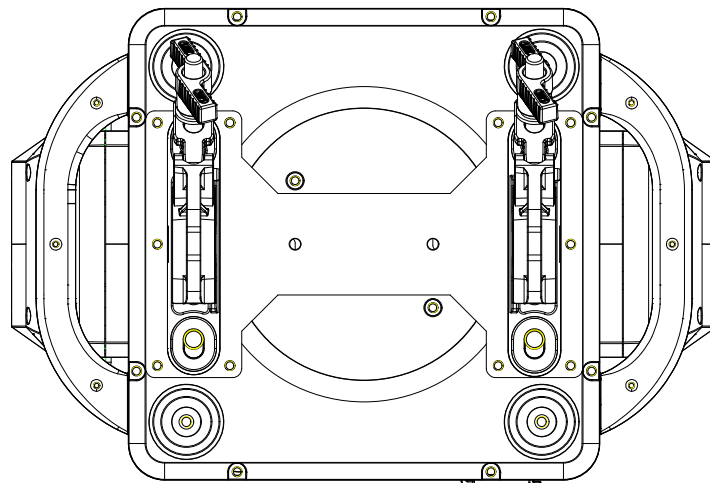
Install the G-clamp onto the base of the fixture, plug the G-clamp into the installation hole of the fixture's base. Rotate the quick lock plate into the slot tightly. Use the same installation method for the second G-clamp. (Pic10)

Fixture Installation

Fixture is installed on the stage or truss, and the G-clamp can be locked on the truss tightly and quickly. (Pic 11)

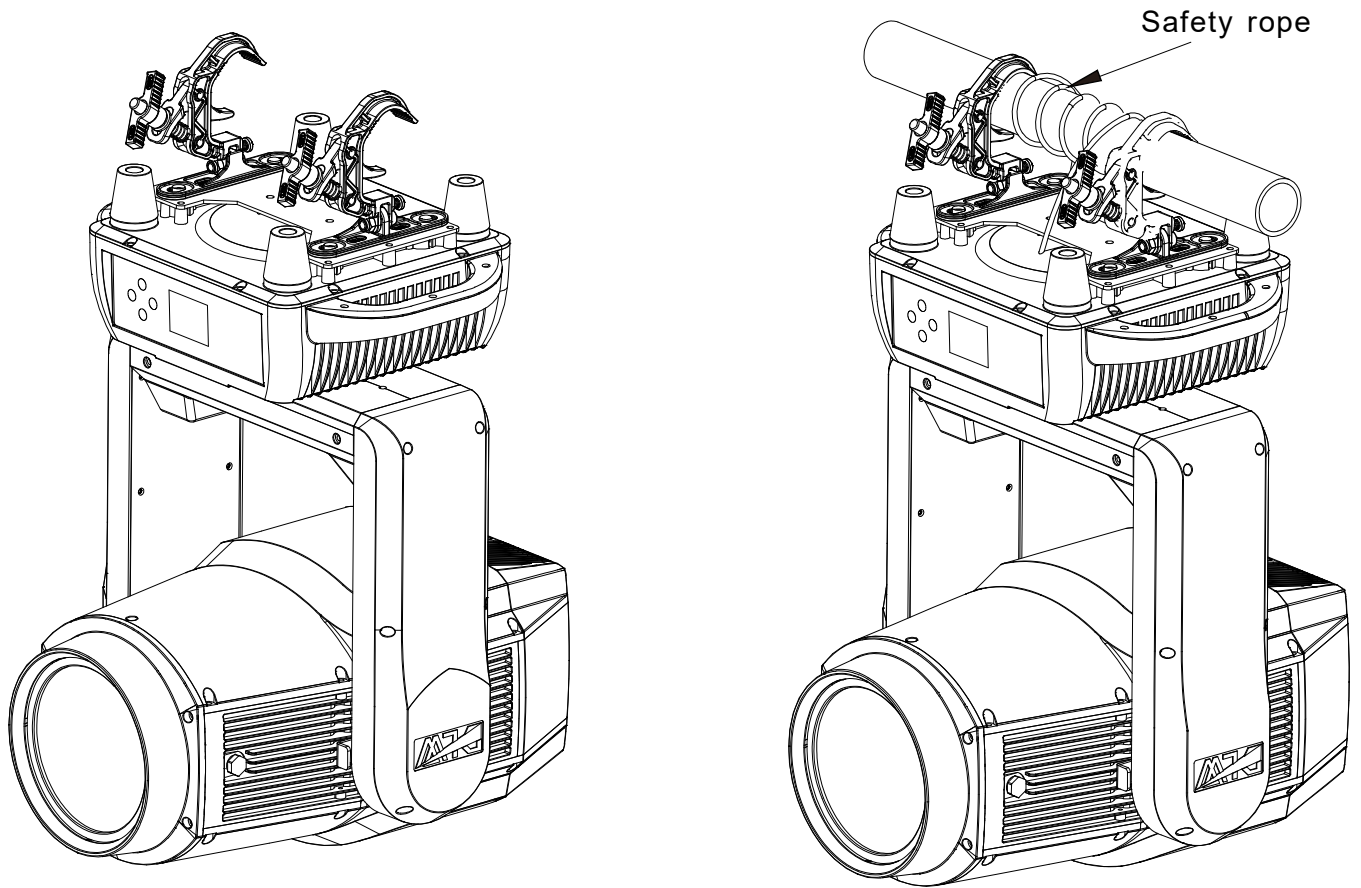
Notice:

- User must check if the G-clamp and safety chain are damaged or not.
- When hanging a fixture, the safety rope must pass through the handle.
- Please unlock the lock of tilt before power on.
- Side hanging for long time is not recommended.



Pan position

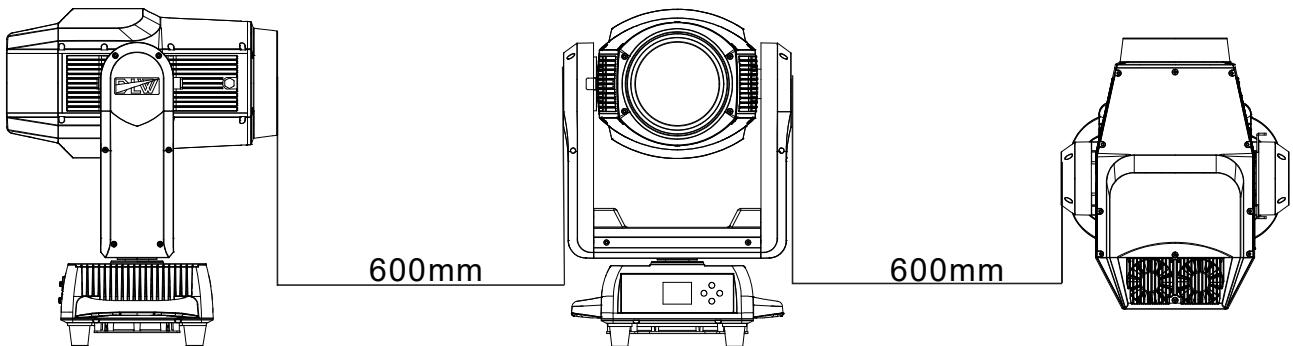
Pic10



Pic11

Fixture Placement

When place the fixture, please check there is no inflammable object or inflammable material around the fixture. Then place the fixture vertically upward. The shortest safety distance for adjacent fixtures is ≥ 0.6 m when they are working. Fixtures installation show as follow(pic 12).



Pic12

DMX Channel Sheet (Brief)

Channel	38CH	35CH	60CH
1	Pan	Strobe	Pan
2	Pan Fine	Dimmer	Pan Fine
3	Tilt	Dimmer Fine	Tilt
4	Tilt fine	Cyan	Tilt fine
5	Strobe	Magenta	Strobe
6	Dimmer	Yellow	Dimmer
7	Dimmer Fine	CTO	Dimmer Fine
8	Focus	Color Wheel	Focus
9	Focus Fine	Gobo1	Focus Fine
10	Cyan	Gobo1 Rotation	Zoom
11	Magenta	Gobo1 Rotation Fine	Zoom Fine
12	Yellow	Fixed Gobo	Cyan
13	CTO	Animation	Cyan Fine
14	Color1 Wheel	Framing Blade 1A	Magenta
15	Color2 Wheel	Framing Blade 1B	Magenta Fine
16	Color3 Wheel	Framing Blade 2A	Yellow
17	Color Macro	Framing Blade 2B	Yellow Fine
18	Gobo1	Framing Blade 3A	CTO
19	Gobo1 Rotation	Framing Blade 3B	CTO Fine
20	Fixed Gobo	Framing Blade 4A	Color1 Wheel
21	Reserved	Framing Blade 4B	Color2 Wheel
22	Animation	Framing Blade Roation	Color3 Wheel
23	Animation Rotation	Frost	Color Macro
24	Framing Blade 1A	Prism	Gobo1
25	Framing Blade 1B	Prism Rotation	Gobo1 Rotation
26	Framing Blade 2A	Reserved	Gobo1 Rotation Fine
27	Framing Blade 2B	Zoom	Fixed Gobo
28	Framing Blade 3A	Zoom Fine	Reserved
29	Framing Blade 3B	Focus	Animation
30	Framing Blade 4A	Focus Fine	Animation Rotation
31	Framing Blade 4B	Pan	Animation Rotation Fine
32	Framing Blade Roation	Pan Fine	Framing Blade 1A
33	Prism1	Tilt	Framing Blade 1A Fine
34	Prism1 Rotation	Tilt fine	Framing Blade 1B
35	Prism2	Fixture control	Framing Blade 1B Fine
36	Prism2 Rotation		Framing Blade 2A
37	Frost		Framing Blade 2A Fine
38	Fixture control		Framing Blade 2B

39			Framing Blade 2B Fine
40			Framing Blade 3A
41			Framing Blade 3A Fine
42			Framing Blade 3B
43			Framing Blade 3B Fine
44			Framing Blade 4A
45			Framing Blade 4A Fine
46			Framing Blade 4B
47			Framing Blade 4B Fine
48			Framing Blade Roation
49			Framing Blade Roation Fine
50			Prism1
51			Prism1 Rotation
52			Prism2
53			Prism2 Rotation
54			Frost
55			Frost Fine
56			Fixture control
57			Pan/Tilt speed
58			Color speed
59			Focus speed
60			Gobo speed

DMX Specific Channel Sheet

38CH	35CH	60CH	Specifications	DMX Value	Function
1	31	1	Pan	0-255	0°->540°
2	32	2	Pan Fine		
3	33	3	Tilt	0-255	0°->270°
4	34	4	Tilt Fine		
5	1	5	Strobe	0-19	Closed
				20-49	Open
				50-200	Strobe from slow to fast
				201-210	Open
				211-255	Random strobe from slow to fast
6	2	6	Dimmer	0-255	Closed-open(0%-100%)
7	3	7	Dimmer Fine		
8	29	8	Focus	0-255	From far to near
-	30	9	Focus Fine		
9	27	10	Zoom	0-255	From large to small
-	28	11	Zoom Fine		
10	4	12	Cyan	0-255	Cyan 0-100%
-	-	13	Cyan Fine		
11	5	14	Magenta	0-255	Magenta 0-100%
-	-	15	Magenta Fine		
12	6	16	Yellow	0-255	Yellow 0-100%
-	-	17	Yellow Fine		
13	7	18	CTO	0-255	CTO 0-100%
-	-	19	CTO Fine		
14	-	20	Color1 Wheel	0-127	Color Linear movement
				128-170	Color1
				171-212	Color2
				213-255	Color3
15	-	21	Color2 Wheel	0-127	Color Linear movement
				128-170	Color4
				171-212	Color5
				213-255	Color6
16	-	22	Color3 Wheel	0-127	Color Linear movement
				128-170	Color7
				171-212	Color8
				213-255	Color9
17	8	23	Color Macro	0-10	NULL
				11-16	Color1
				17-22	Color2
				23-28	Color3
				29-34	Color4
				35-40	Color5
				41-46	Color6
				47-52	Color7
				53-58	Color8
				59-63	Color9
				64-95	Anti-clockwise rotation Color1
96-127	Clockwise rotation Color1				


				128-159	Anti-clockwise rotation Color2
				160-191	Clockwise rotation Color2
				192-223	Anti-clockwise rotation Color3
				224-255	Clockwise rotation Color3
18	9	24	Gobo1		Positioning mode
				0-10	Open
				11-18	Gobo 1
				19-27	Gobo 2
				28-35	Gobo 3
				36-44	Gobo 4
				45-52	Gobo 5
				53-61	Gobo 6
				62-71	Gobo 7
				72-79	Gobo1 shake from slow to fast
				80-87	Gobo2 shake from slow to fast
				88-95	Gobo3 shake from slow to fast
				96-103	Gobo4 shake from slow to fast
				104-111	Gobo5 shake from slow to fast
				112-119	Gobo6 shake from slow to fast
				120-127	Gobo7 shake from slow to fast
					Rotation mode
				128-189	Anti-clockwise rotation from fast to slow
190-255	Clockwise rotation from slow to fast				
19	10	25	Gobo1 Rotation		Positioning mode
				0-127	Indexing(0-360Degree)
					Rotation mode
				128-190	Anti-clockwise rotation from fast to slow
				191-192	Stop
	193-255	Clockwise rotation from slow to fast			
-	11	26	Gobo1 Rotation Fine		
20	12	27	Fixed Gobo		Step mode
				0-10	Open
				11-13	Gobo 1
				14-17	Gobo 2
				18-21	Gobo 3
				22-25	Gobo 4
				26-28	Gobo 5
				29-32	Gobo 6
				33-36	Gobo 7
				37-40	Gobo 8
				41-43	Gobo 9
				44-47	Gobo 10
				48-51	Gobo 11
				52-55	Gobo 12
					Shake mode
56-61	Gobo1 shake from slow to fast				
62-67	Gobo2 shake from slow to fast				
68-73	Gobo3 shake from slow to fast				

				74-79	Gobo4 shake from slow to fast
				80-85	Gobo5 shake from slow to fast
				86-91	Gobo6 shake from slow to fast
				92-97	Gobo7 shake from slow to fast
				98-103	Gobo8 shake from slow to fast
				104-109	Gobo9 shake from slow to fast
				110-115	Gobo10 shake from slow to fast
				116-121	Gobo11 shake from slow to fast
				122-127	Gobo12 shake from slow to fast
					Gobo water flow effect
				128-189	Anti-clockwise rotation from fast to slow
				190-255	Clockwise rotation from slow to fast
21	26	28	Reserved	0-255	Reserved
22	-	29	Animation	0-10	Reserved
				11-255	Animation Linear Movement insert
					Rotation mode
23	13	30	Animation Rotation	1-10	insert (35CH)
				11-130	Clockwise rotation from fast to slow
				131-133	Stop
				134-255	Anti-clockwise rotation from slow to fast
-	-	31	Animation Rotation Fine		
24	14	32	Framing Blade 1A	0-255	Framing blade rotation from outside->inside
-	-	33	Framing Blade 1A Fine		
25	15	34	Framing Blade 1B	0-255	Framing blade rotation $\pm 35^\circ$
-	-	35	Framing Blade 1B Fine		
26	16	36	Framing Blade 2A	0-255	Framing blade rotation from outside->inside
-	-	37	Framing Blade 2A Fine		
27	17	38	Framing Blade 2B	0-255	Framing blade rotation $\pm 35^\circ$
-	-	39	Framing Blade 2B Fine		
28	18	40	Framing Blade 3A	0-255	Framing blade rotation from outside->inside
-	-	41	Framing Blade 3A Fine		
29	19	42	Framing Blade 3B	0-255	Framing blade rotation $\pm 35^\circ$
-	-	43	Framing Blade 3B Fine		
30	20	44	Framing Blade 4A	0-255	Framing blade rotation from outside->inside
-	-	45	Framing Blade 4A Fine		
31	21	46	Framing Blade 4B	0-255	Framing blade rotation $\pm 35^\circ$
-	-	47	Framing Blade 4B Fine		
				0-160	Framing rotation from 0->360°
32	22	48	Framing Blade Rotation	161-202	Framing Anti-clockwise rotation from fast to slow
				203-243	Framing clockwise rotation slow to fast
				244-255	Null
-	-	49	Framing Blade Rotation Fine		
33	-	50	Prism1	0-10	Open
				11-255	Prism1 insert
				0-10	Open
					Positioning mode(Prism1 Rotation)
				11-71	Prism1 insert
					Rotation mode(Prism1 Rotation)

-	24	-	Prism	72-133	Prism1 Rotation	
						Positioning mode(Prism2 Rotation)
				134-195	Prism2 Rotation	
						Rotation mode(Prism2 Rotation)
				196-255	Prism2 Rotation	
34	25	51	Prism1 Rotation		Positioning mode	
				0-127	0->360°	
					Rotation mode	
				128-191	Anti-clockwise rotation from fast to slow	
			192-255	clockwise rotation slow to fast		
35	-	52	Prism2	0-10	Open	
				11-255	Prism2 insert	
36	-	53	Prism2 Rotation		Positioning mode	
				0-127	0->360°	
					Rotate mode	
				128-191	Anti-clockwise rotation from fast to slow	
			192-255	clockwise rotation slow to fast		
37	23	54	Frost	0-255	Frost Animation Linear Movement insert	
-	-	55	Frost Fine			
38	35	56	Fixture control	0-9	Null	
				10-14	Fixture reset	
				15-29	Specification reset	
				30-34	Pan-tilt reset	
				35-49	Reserved	
				50-54	1.2KHz	
				55-59	6 KHz	
				60-64	12KHz	
				65-69	24KHz	
				70-74	25KHz	
				75-79	Reserved	
					Dimmer Curve control	
				80-84	Dimmer Curve1	
				85-89	Dimmer Curve2	
				90-94	Dimmer Curve3	
				95-99	Dimmer Curve4	
					Scene mode	
100-104	Theater mode					
105-109	Quiet mode					
110-114	AUTO mode					
115-119	HIGH mode					
120-255	Reserved					
-	-	57	Pan/Tilt speed	0-255	Stepping time from fast to slow	
-	-	58	Color speed	0-255	Stepping time from fast to slow	
-	-	59	Focus speed	0-255	Stepping time from fast to slow	
-	-	60	Gobo speed	0-255	Stepping time from fast to slow	

Maintenance & cleaning of the fixture

The fixture needs to be maintained and cleaned daily, because its lifespan depends on working environment and daily maintenance. Please contact our company engineer for any questions and feedback which are out of this user manual to our professional engineer.

Notes as bellow: 

- The power supply must be cut off before open the shell.
- Please open the shell after the fixture cooled completely
- Cleaning the optics components gently to avoid scratching the surface coating, To avoid damaging plastic and scratching the surface coating, Please don't use any harmful liquid or hard objects.
- Wiping the particulate Matter with tasteless tissue-paper or cotton cloth with clean, distilled water. Don't wipe the surface, but blow away floating things with pressure gas, any residues must be cleaned with distilled water from center to edge, and then dry it with soft cotton cloth.
- Please change the lens in time when it cracks or has other damages
- It is out of warranty any damage caused by fan with overmuch dust, smoke fluidity and abnormal using fixture.
- There is temperature protection device of the fixture, when the temperature is too high the LED module will be off automatically. When this happens, please check if the fan is working well or not. Plus, checking if the fan filter is blocked by dust. Please only reset the fixture after the qualified professional technicians finish troubleshooting.
- Weekly cleaning and maintenance for the fan filters and lens is recommended. Please do a complete maintenance half a year.

Troubleshooting

The following are some problems in process of operation, and there are some suggestions for troubleshooting:

Fixture doesn't response, when power on

- Check if power input is normal.
- Check if power switch is on.
- Check if fuse is burned.

Console losing control:

- Check if the display is flicker, if yes, check if DMX signal connector and signal cable are connected well.
- If the display is not flickering, but the fixture is still have no response to the control channel instructions, please check if IP address is correctly set.
- If DMX signal is not stable, please check XLR socket and signal cable are connected well.
- Change another console for testing.

channel failure:

- Step motor or motor leading wire Maybe damaged.
- Drive circuit of motor may be damaged.

Lamp blinking:

- Check if the voltage is too high or too low, when the lamp is abnormal lighting.
- It is necessary to change the fan if the inner temperature is too high.

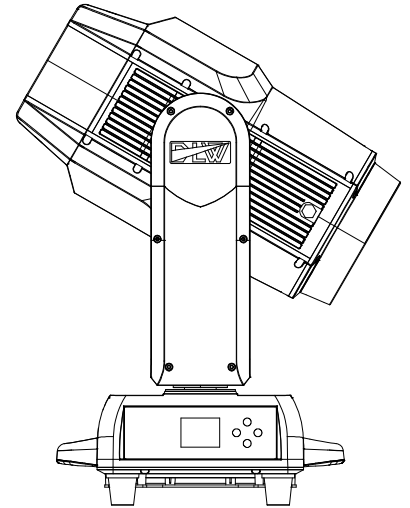
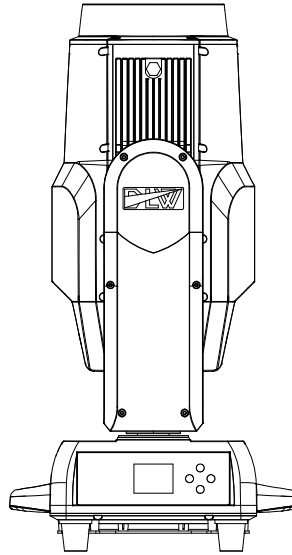
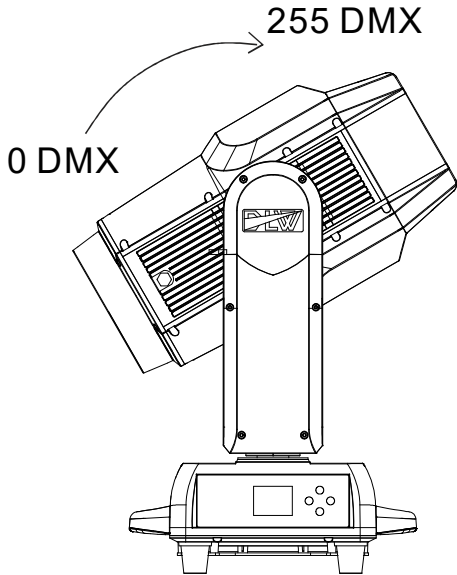
Attachment 1 Angle range and the measurement figure of the fixture

● Angle range of the fixture

Tilt= 0 DMX

Tilt= 128 DMX

Tilt= 255 DMX



Display
Pan= 0 DMX

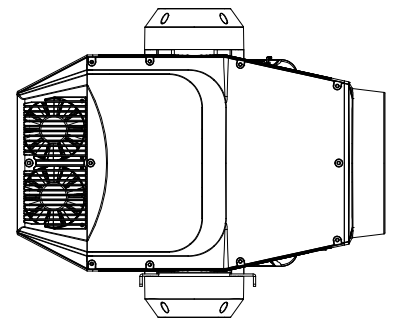
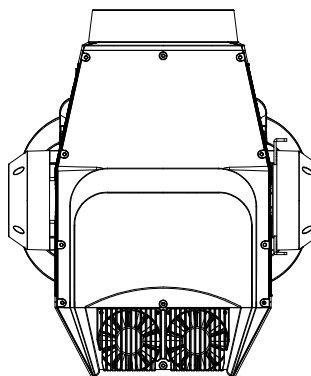
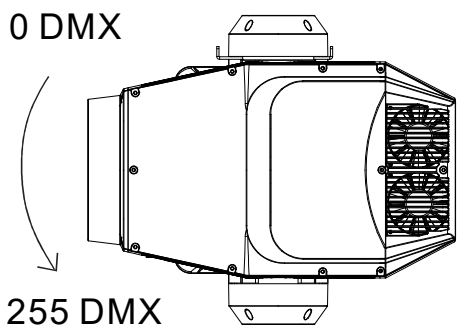
Display
Pan= 0 DMX

Display
Pan= 0 DMX

Pan= 0 DMX
Power cord

Pan= 128 DMX
Power cord

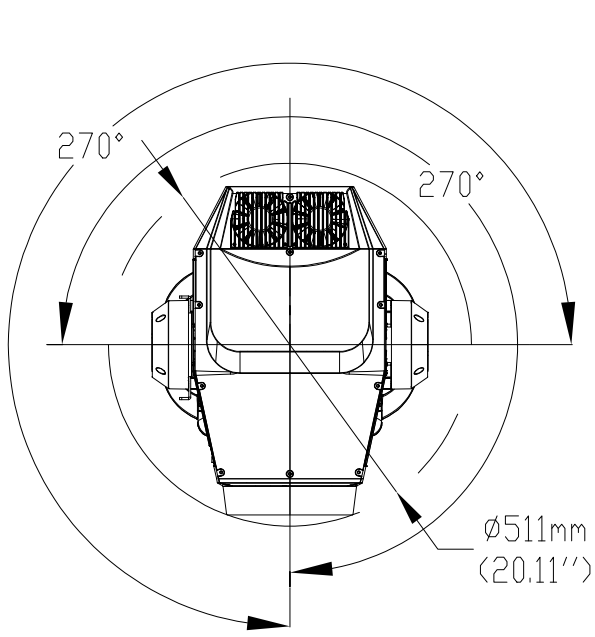
Pan= 255 DMX
Power cord



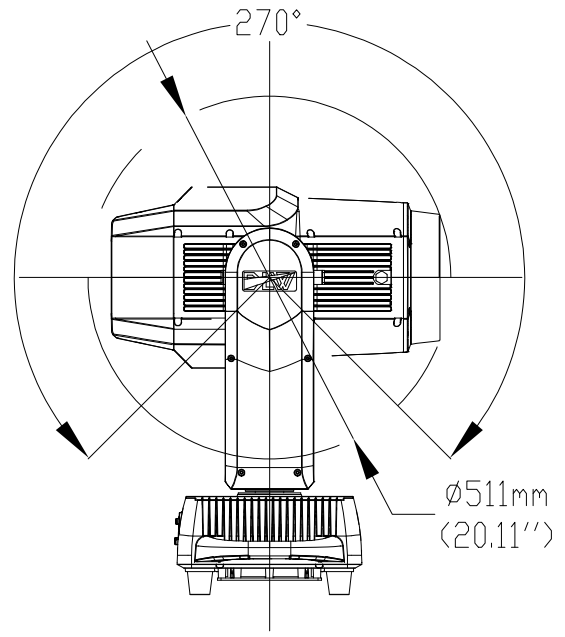
Display
Tilt= 45 DMX

Display
Tilt= 45 DMX

Display
Tilt= 45 DMX

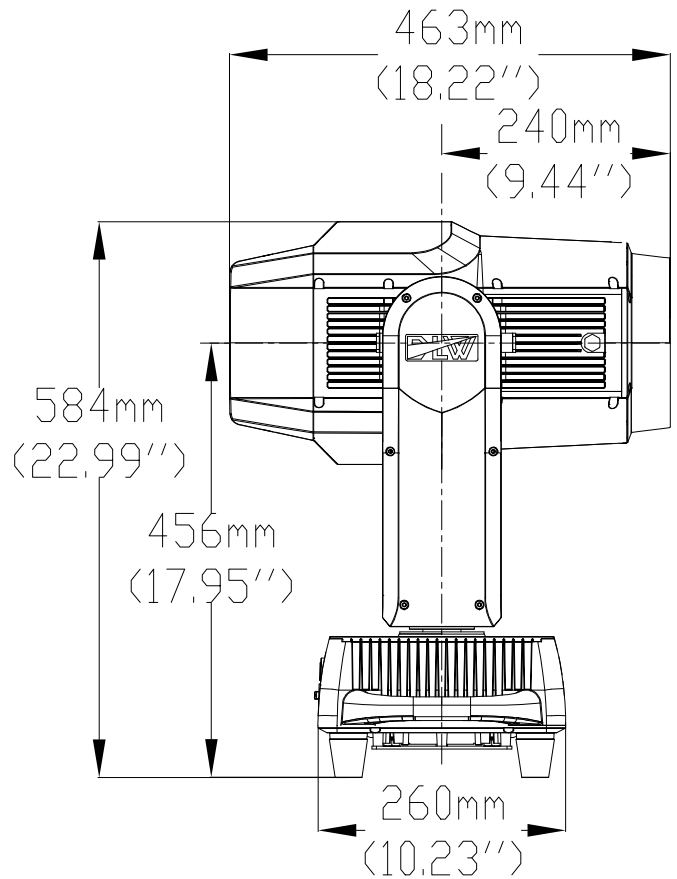
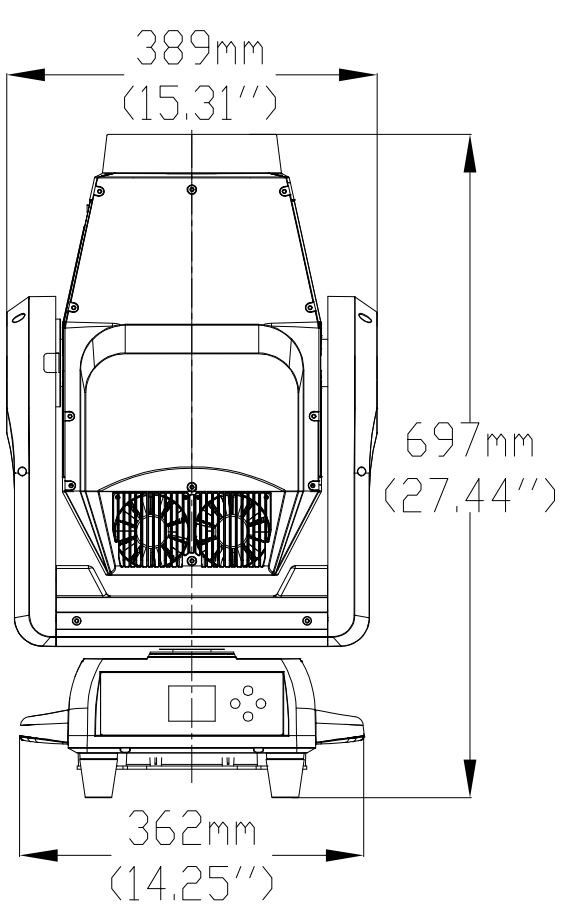


Horizontal direction

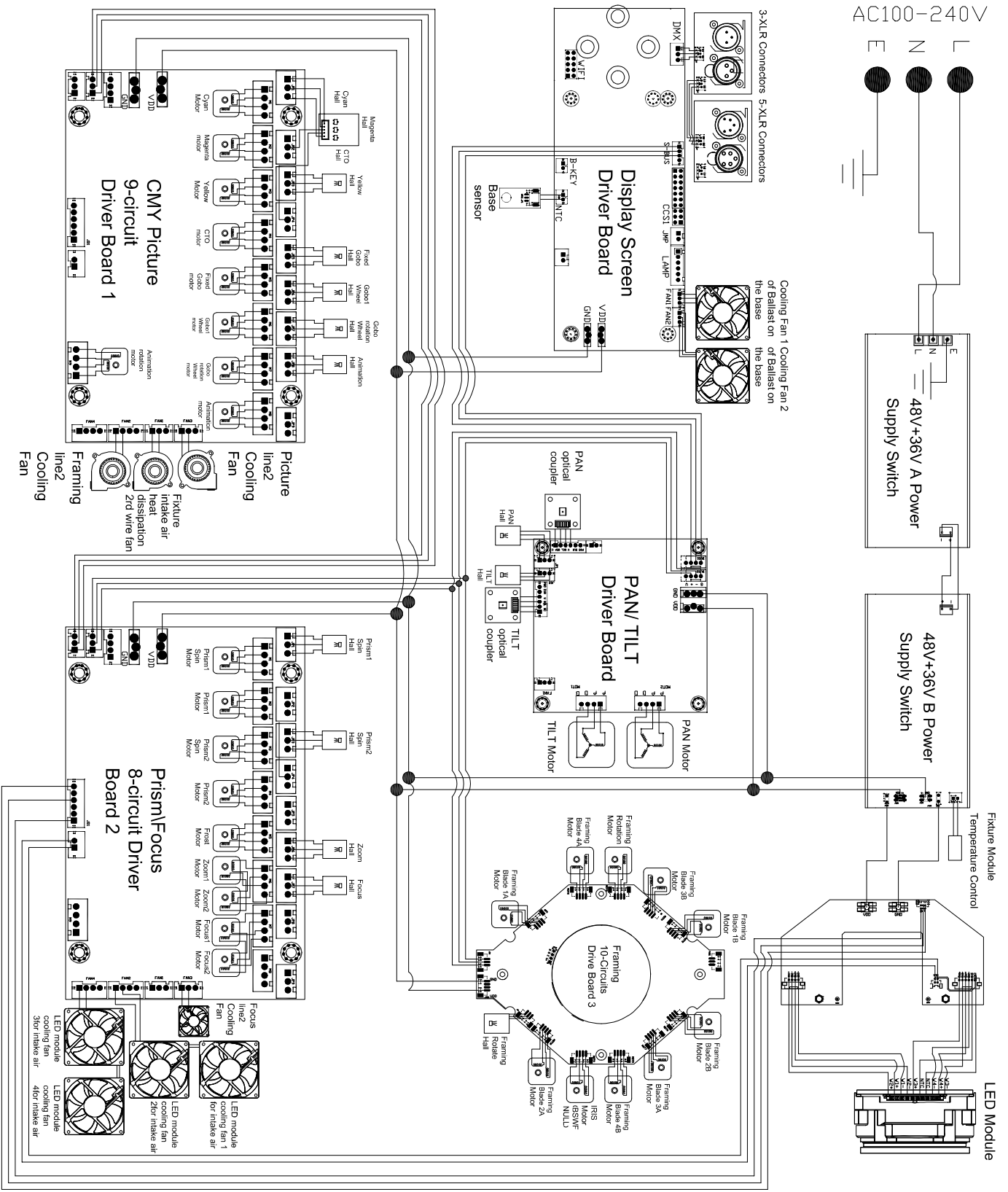


Vertical direction

● The measurement figure of the fixture



Attachment 2:Electrical Diagram





DREAMLIGHT



Guangzhou Dream Lighting Equipment Co., LTD

Add.No.21,Ruixiang Road, Xinhua Industrial Zone,
Huadu District, Guangzhou

Tel.020 8161 2345 Fax. 020 3686 6631

www.dlw-lighting.com